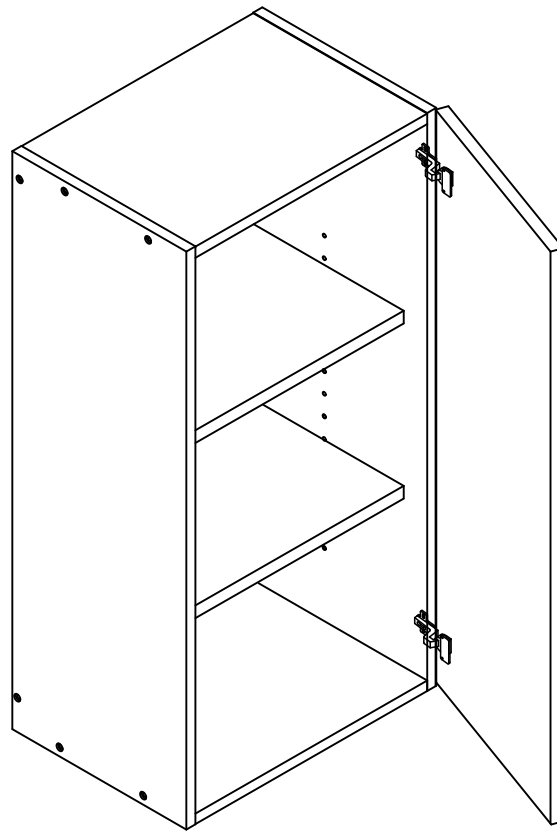


WALL CABINET ASSEMBLY INSTRUCTION



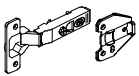




W(09-21)30

Assembly instructions

Carefully read the Instructions before starting the installation.

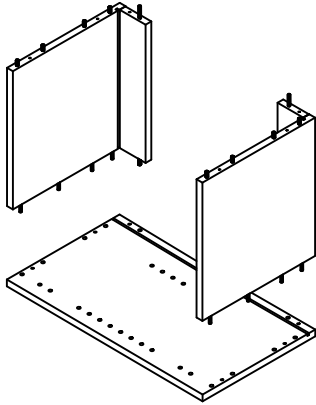
During assembly, please follow all generally accepted safety procedures.

If you are missing any part, please stop and contact us immediately at

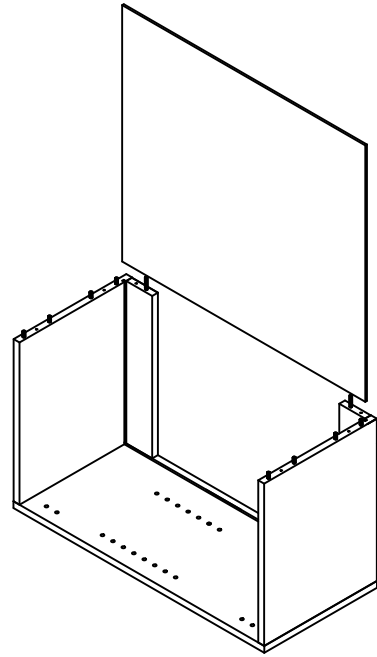
Hardware Fitting		
Hinge		2PCS
Shelf Support		8PCS
Screws for hinge	 4*16	12PCS
Bumper		2PCS
Cabinet Screws	 7*50	12CS

Left Side Panel	1PC
Right Side Panel	1PC
Bottom Panel	1PC
Back Panel	1PC
Support Rail	2set
Top Panel	1PC
Removable Shelf	2PC

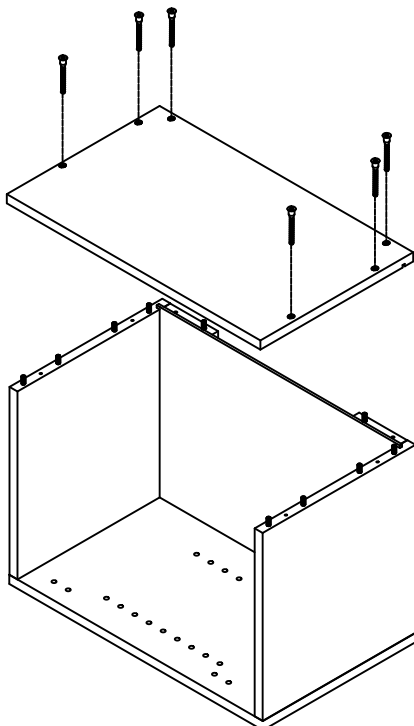
Step1



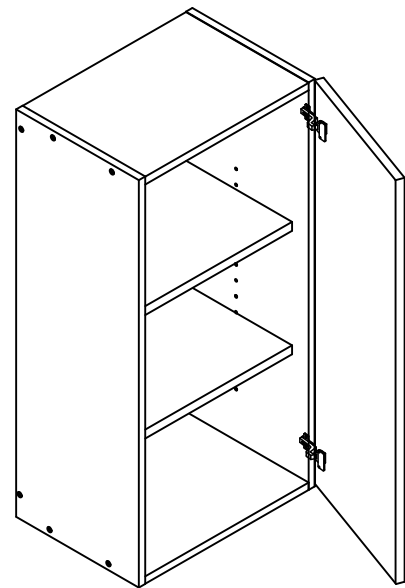
Step2



Step3



Step4



The other side plate is also assembled in this way