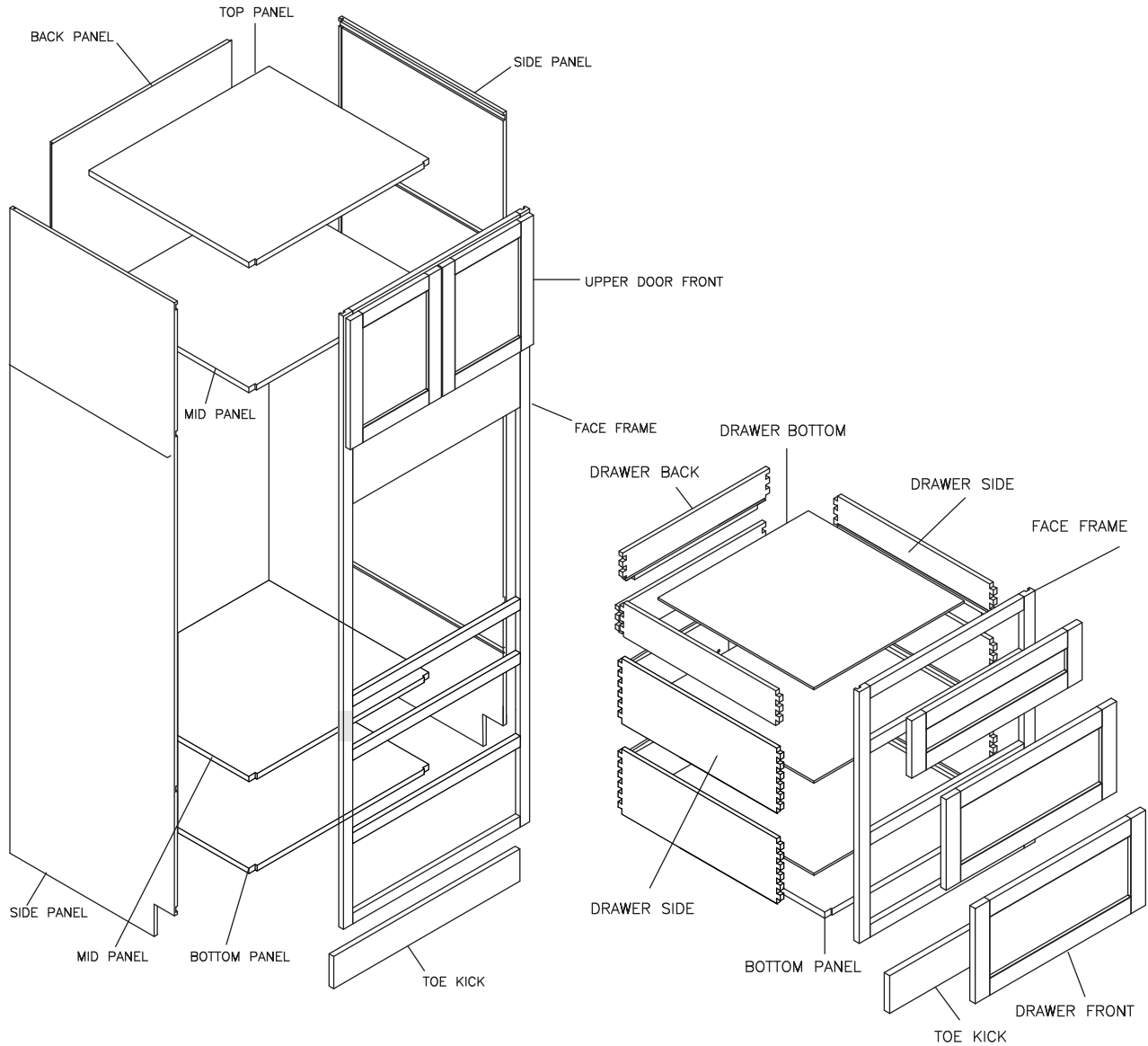
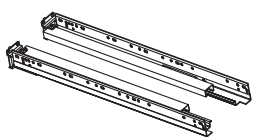
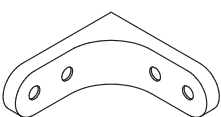
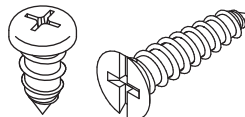
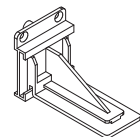


To make out the most convenience way for the installation  
 Since 2017, We made all our tall cabinets including pantry and oven into stackable structure,  
 which means they become 2 portions(upper+lower) instead of one whole piece.

# ASSEMBLING INSTRUCTIONS - OVEN CABINET

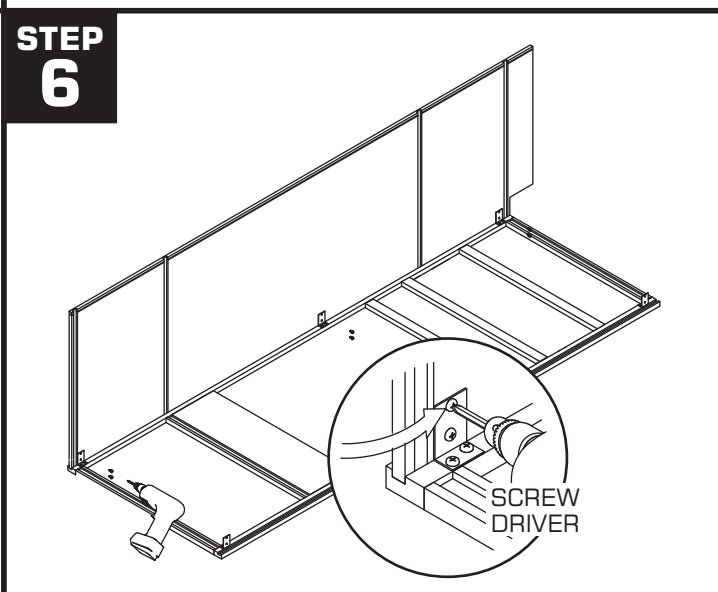
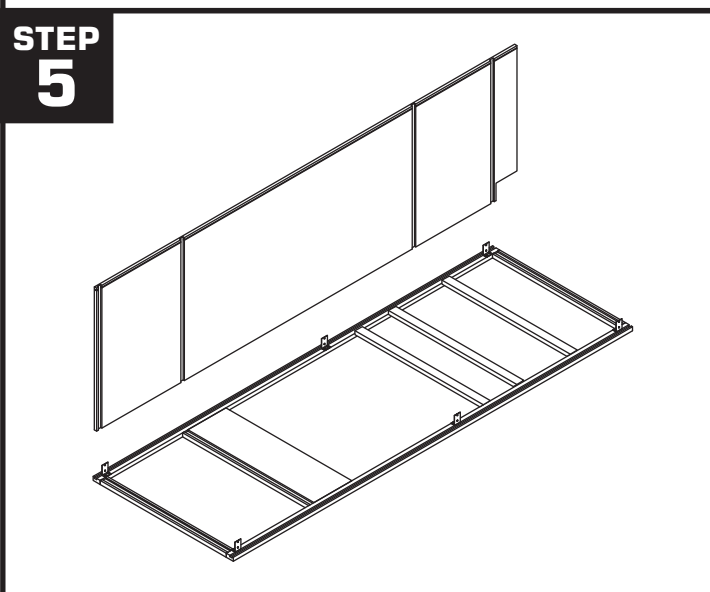
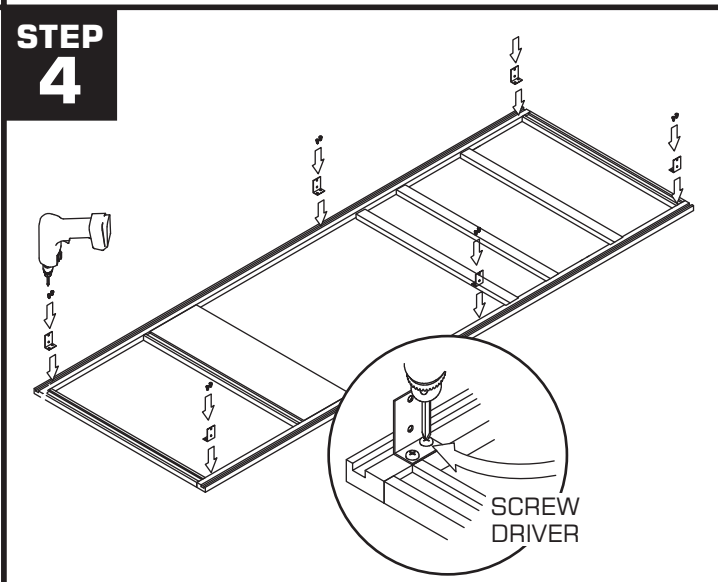
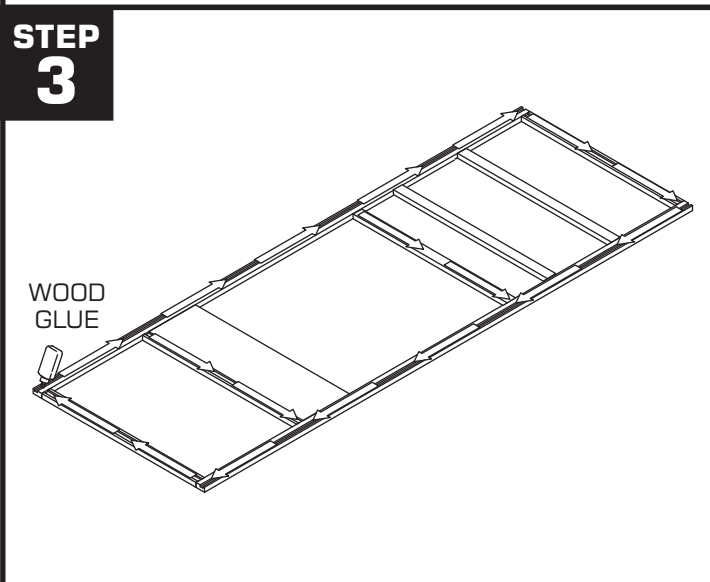
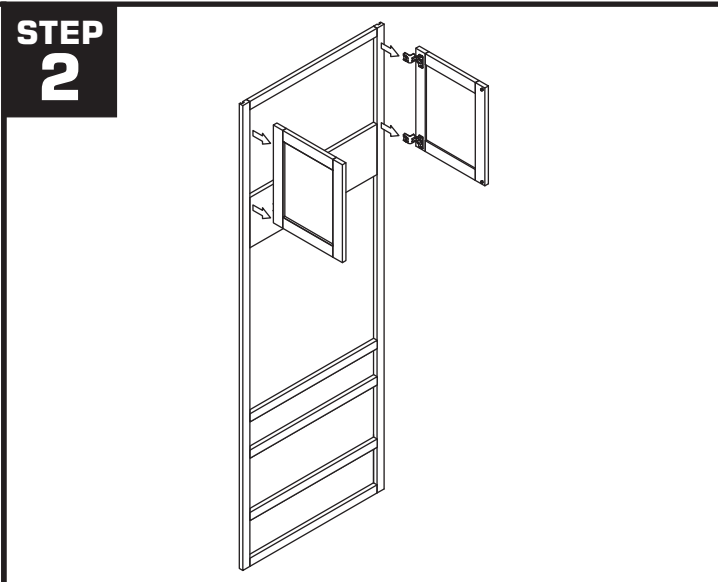
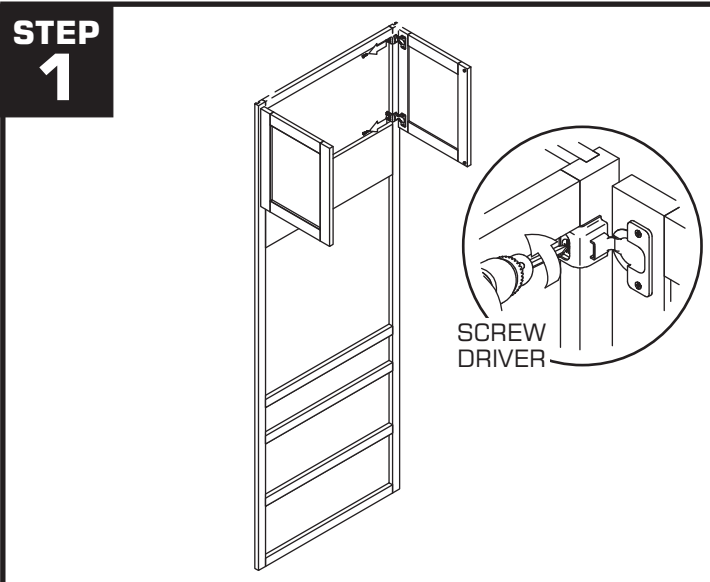


<b>GLIDES</b>	<b>METAL BRACKETS</b>	<b>SCREWS</b>	<b>GLIDE SUPPORTS</b>
			

<b>TOOLS</b>					
					
WOOD GLUE	SCREW DRIVER	RUBBER MALLET	NAIL GUN	STAPLER	SPOTNAILS XC1008

To make out the most convenience way for the installation  
Since 2017, We made all our tall cabinets including pantry and oven into stackable structure,  
which means they become 2 portions(upper+lower) instead of one whole piece.

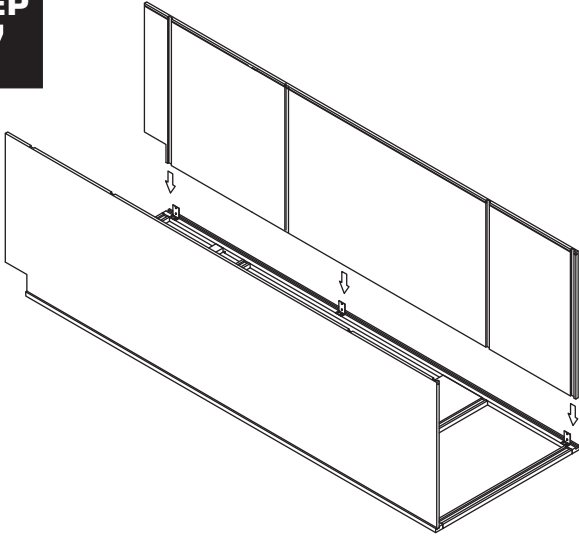
**OVEN CABINET**



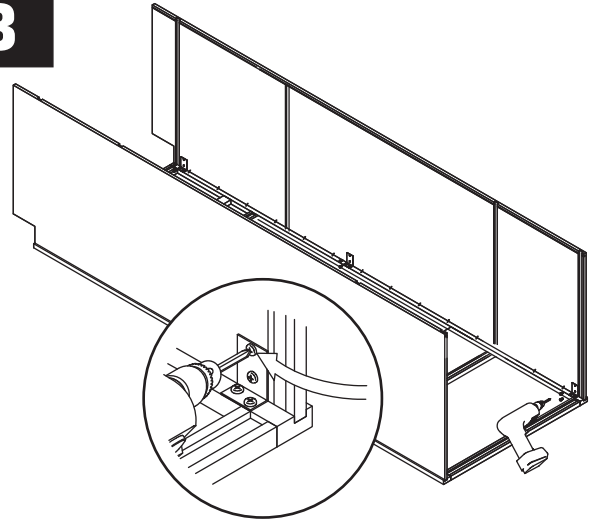
To make out the most convenience way for the installation  
Since 2017, We made all our tall cabinets including pantry and oven into stackable structure,  
which means they become 2 portions(upper+lower) instead of one whole piece.

OVEN CABINET

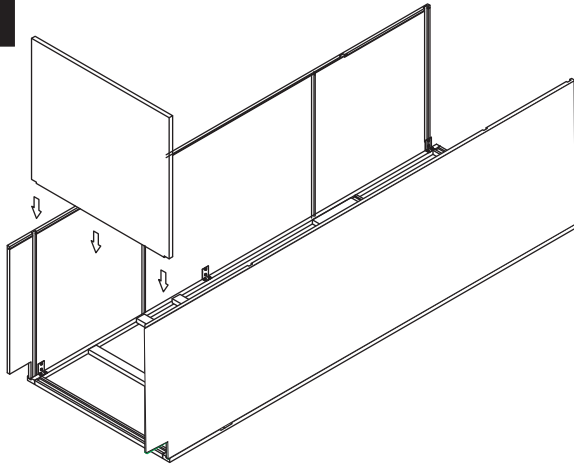
STEP  
7



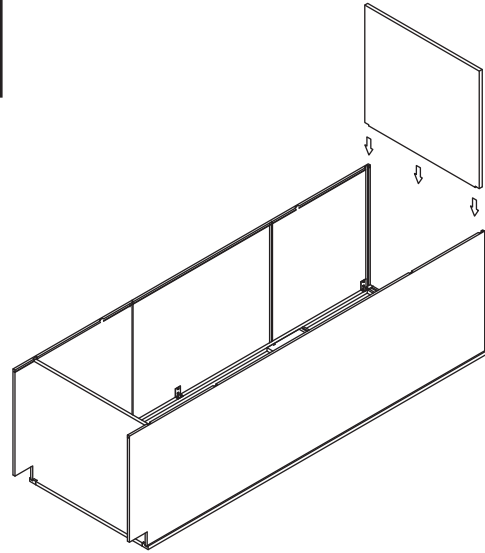
STEP  
8



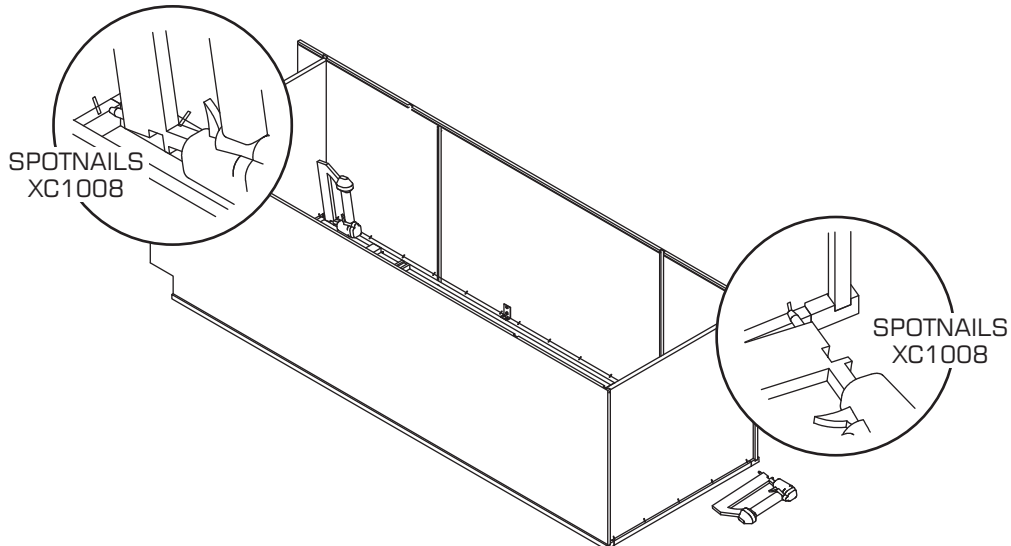
STEP  
9



STEP  
10

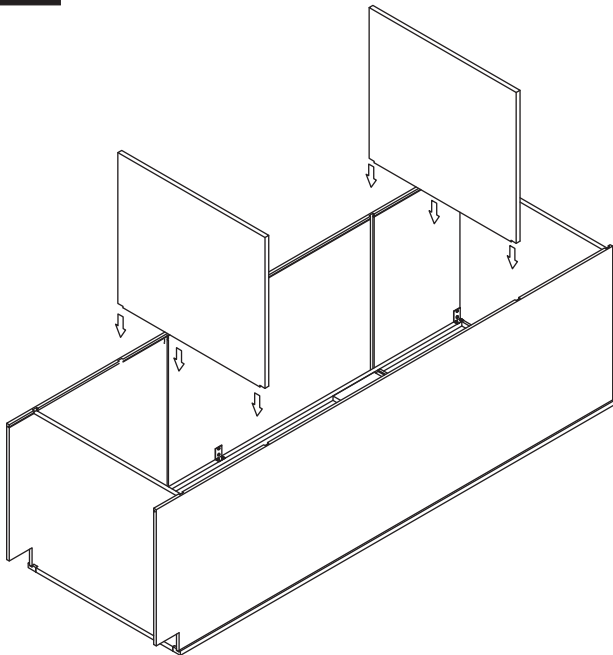


STEP  
11

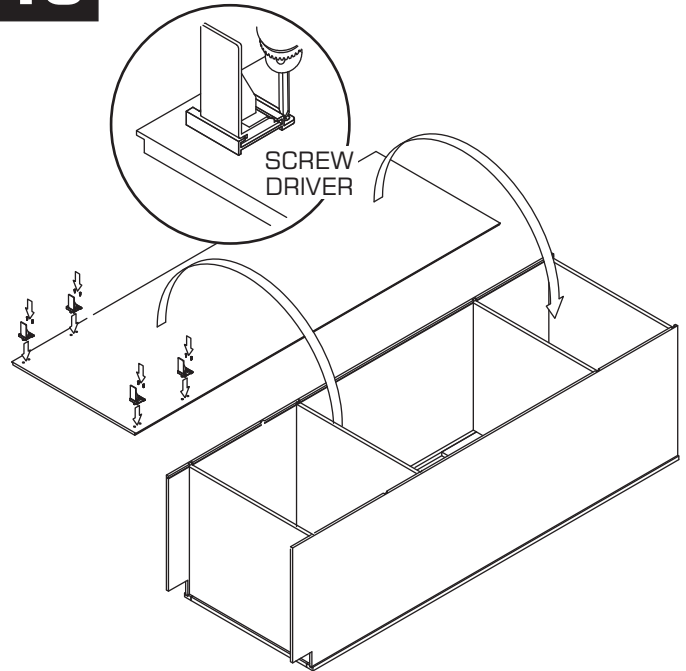


To make out the most convenience way for the installation  
Since 2017, We made all our tall cabinets including pantry and oven into stackable structure,  
which means they become 2 portions(upper+lower) instead of one whole piece.

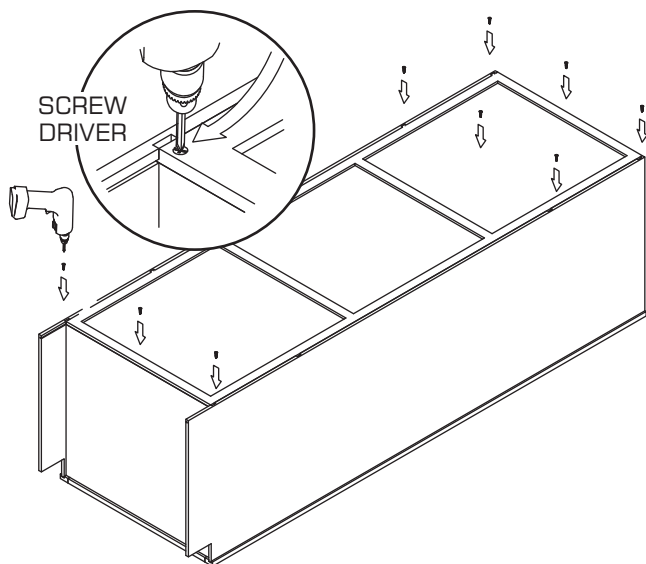
**STEP  
12**



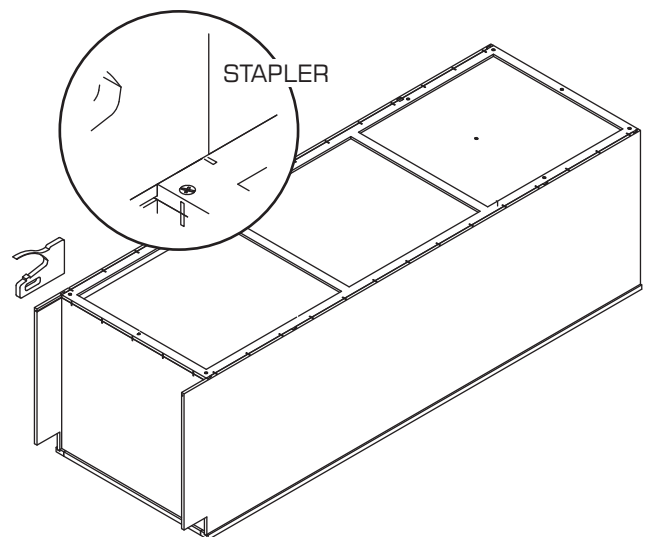
**STEP  
13**



**STEP  
14**



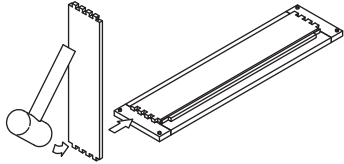
**STEP  
15**



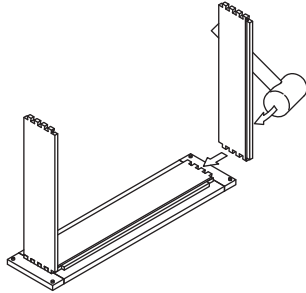
**OVEN CABINET**

To make out the most convenience way for the installation  
Since 2017, We made all our tall cabinets including pantry and oven into stackable structure,  
which means they become 2 portions(upper+lower) instead of one whole piece.

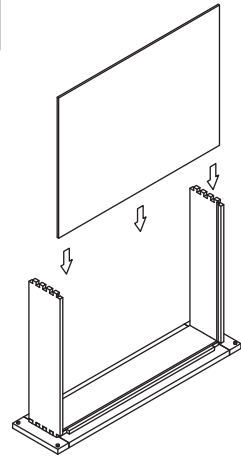
**STEP 16**



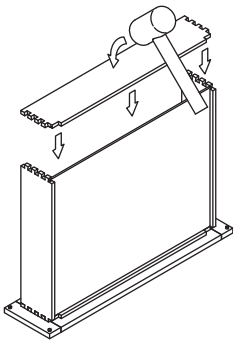
**STEP 17**



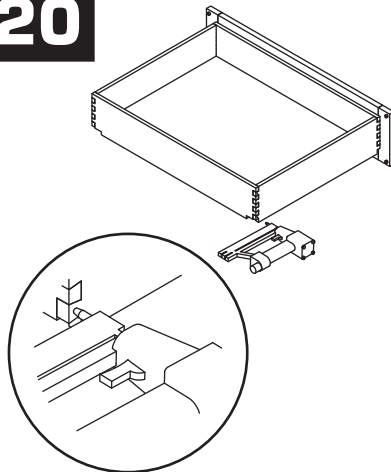
**STEP 18**



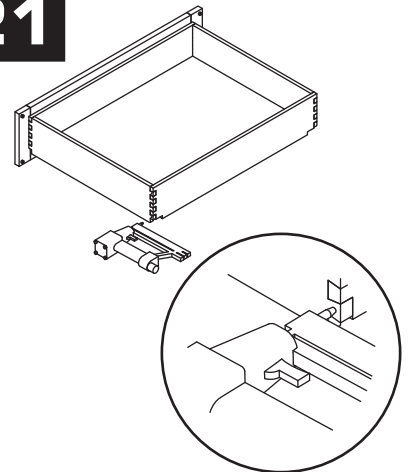
**STEP 19**



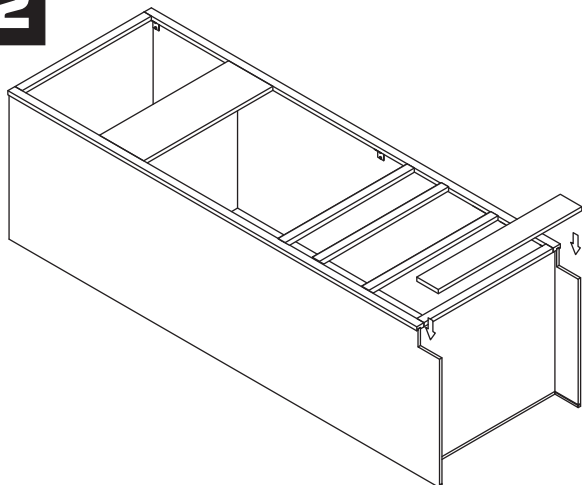
**STEP 20**



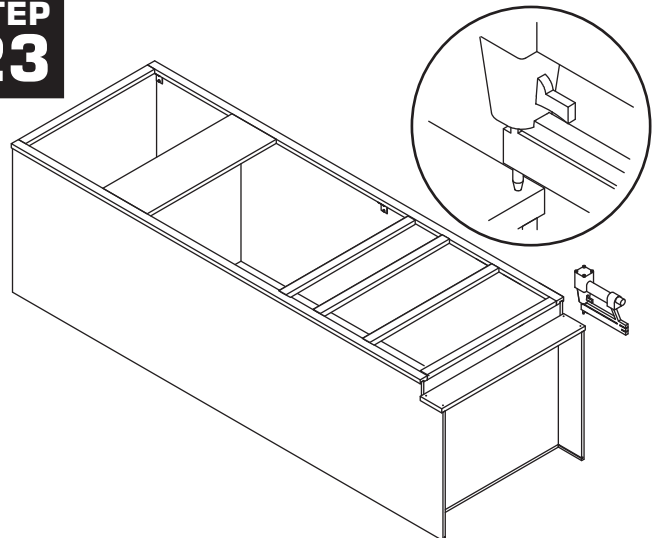
**STEP 21**



**STEP 22**

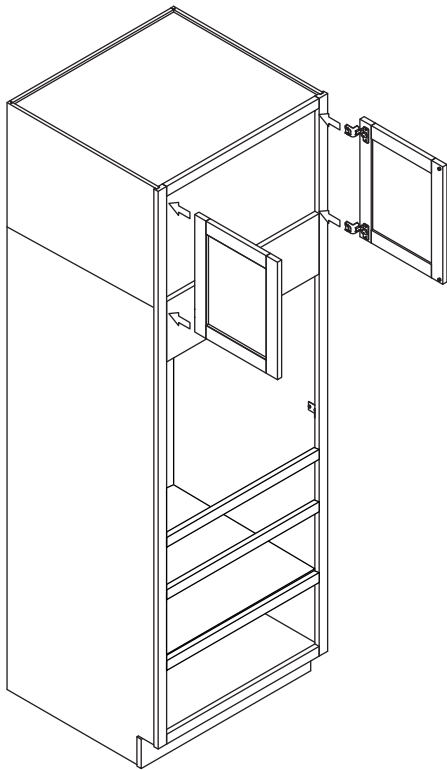


**STEP 23**

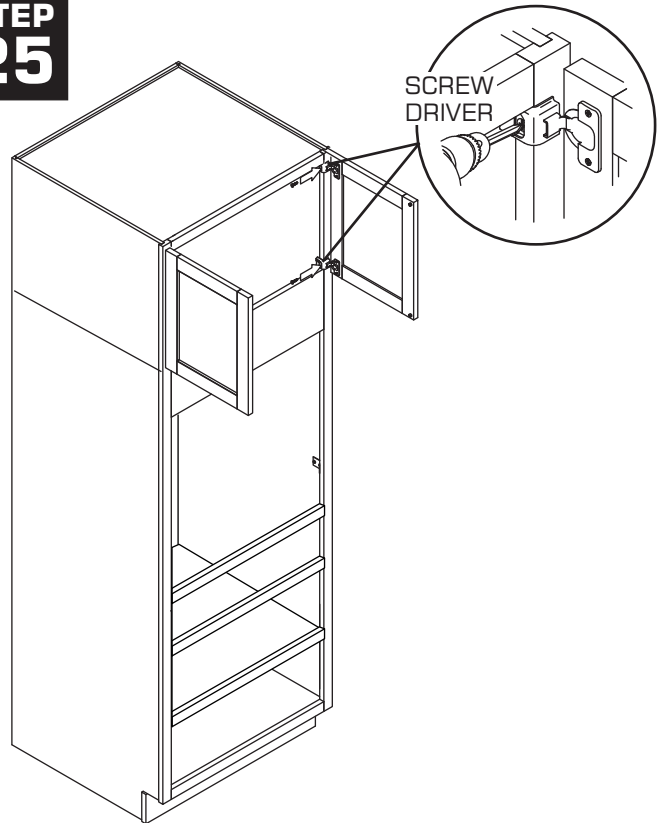


To make out the most convenience way for the installation  
Since 2017, We made all our tall cabinets including pantry and oven into stackable structure,  
which means they become 2 portions(upper+lower) instead of one whole piece.

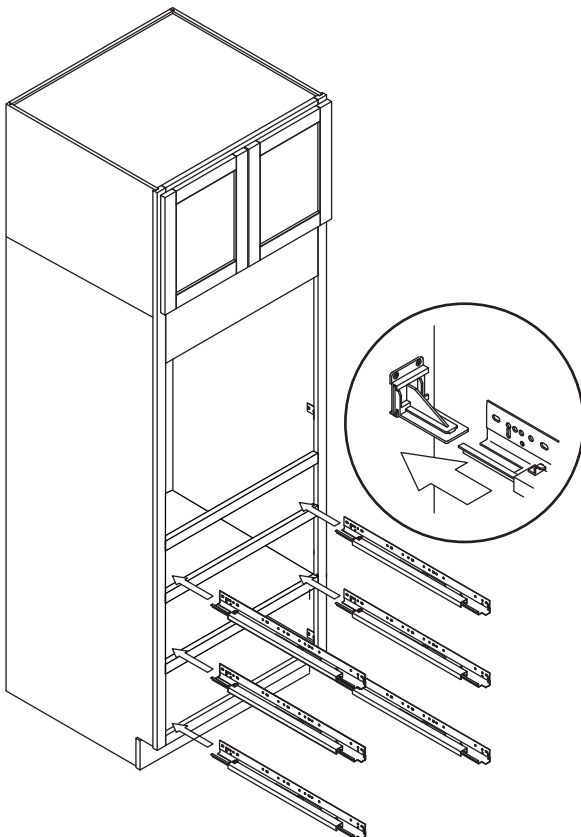
**STEP  
24**



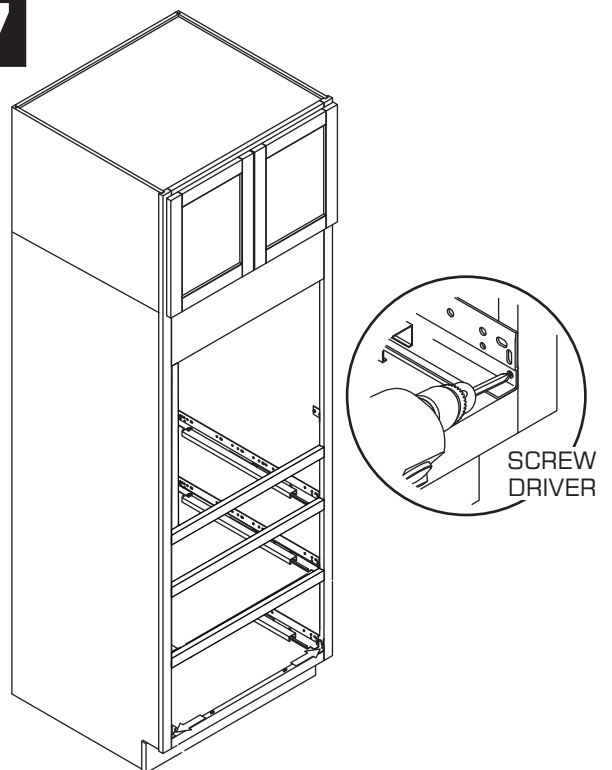
**STEP  
25**



**STEP  
26**

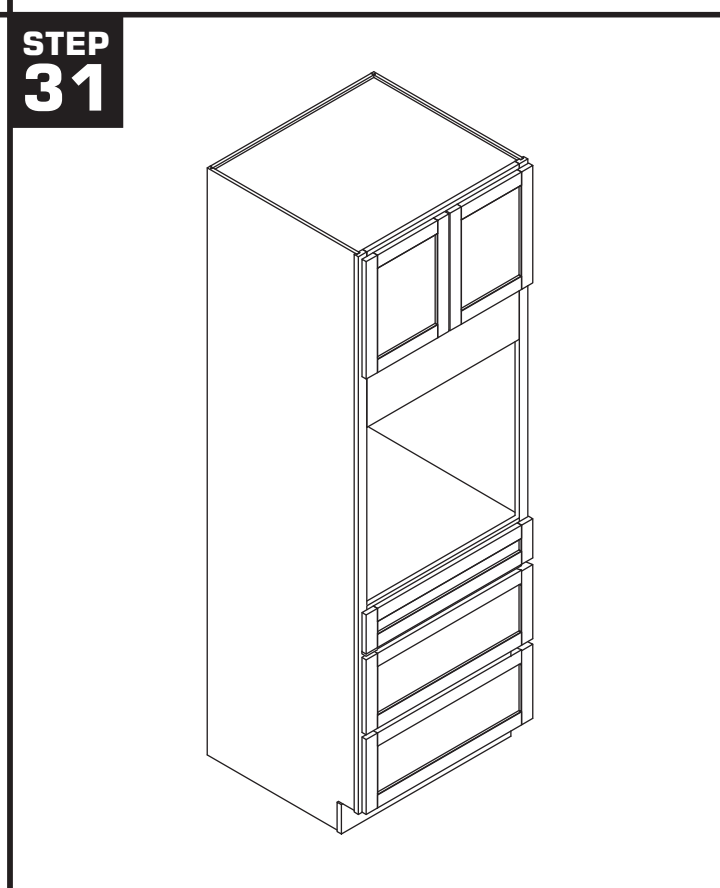
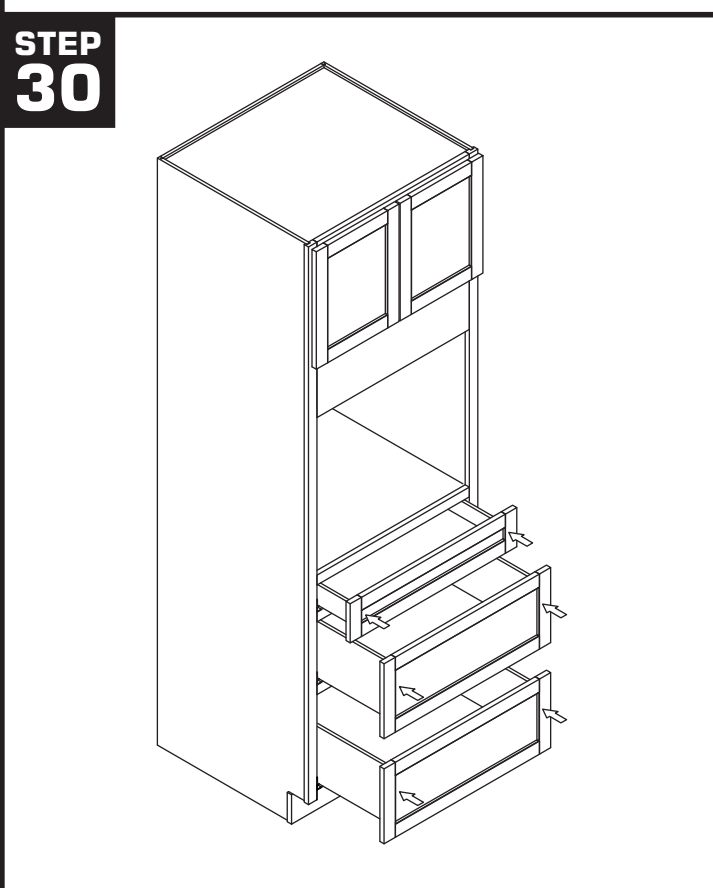
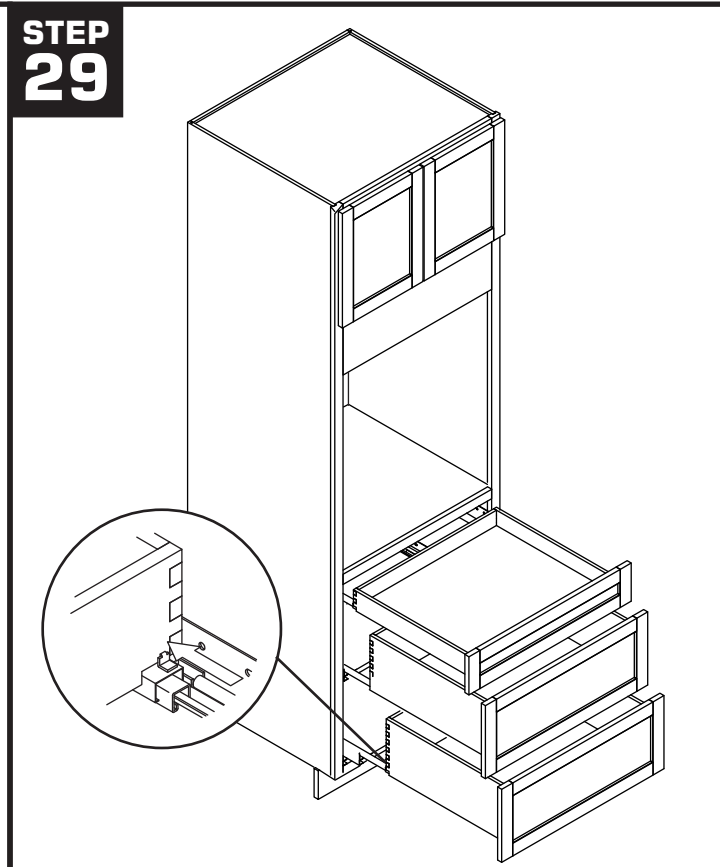
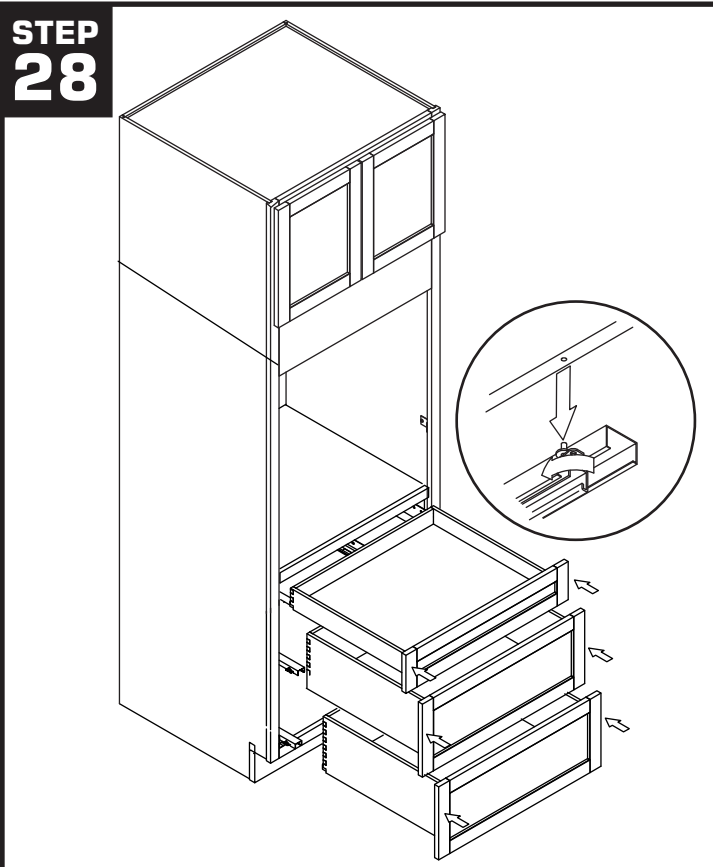


**STEP  
27**



**OVEN CABINET**

To make out the most convenience way for the installation  
Since 2017, We made all our tall cabinets including pantry and oven into stackable structure,  
which means they become 2 portions(upper+lower) instead of one whole piece.



**OVEN CABINET**